



PG

ZUNANJA ZAŠČITNA REŠETKA EXTERNAL PROTECTIVE GRILL

OPIS:

Zunanjo zaščitno rešetko vgradimo na fasado na odprtino za dovod in odvod zraka. Zaščitna mreža preprečuje vdor malih živali, listja in večjih insektov v prezračevalni kanal.

KONSTRUKCIJA:

- nosilni okvir
- horizontalne fiksne lamele
- zaščitna mreža 13 x 13 mm

MATERIAL:

- ZN - pocinkana pločevina
- AL - aluminijasta pločevina
- INOX - nerjaveča pločevina

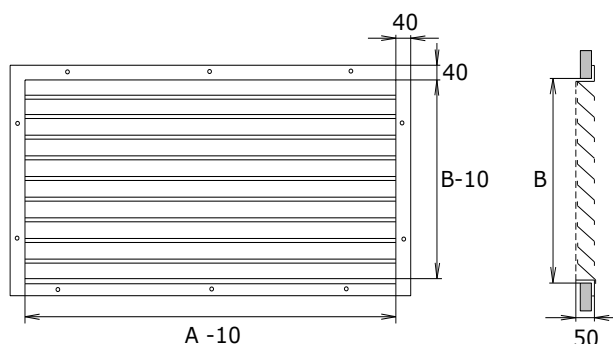
DODATKI:

- mreža proti mrčesu 2,5 x 2,5 mm
- VO - vgradni okvir
- raztegljiva komora
- poljubna barva po RAL lestvici

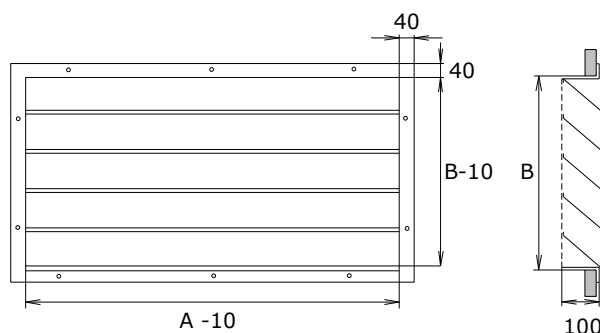
MONTAŽA: vgradnja z vijaki na steno ali z vgradnim okvirjem

DIMENZIJE IN TIPI / DIMENSIONS AND TYPES:

PG-50



PG-100



Dimenziji A in B sta poljubni. / Dimensions A and B are optional

DESCRIPTION:

External protective grille is installed in building fronts on supply and exhaust air opening. Protection net prevents the entrance of small animals, large insects and foliage into ventilation ducts

CONSTRUCTION:

- supporting frame
- horizontal fixed blades
- protection net 13 x 13 mm

MATERIAL:

- ZN - galvanized sheet metal
- AL - aluminium sheet metal
- INOX - stainless steel sheet metal

SUPPLIMENTS:

- insect protection net 2.5 x 2.5 mm
- VO - installation built-in frame
- extendable plenum box
- RAL colour

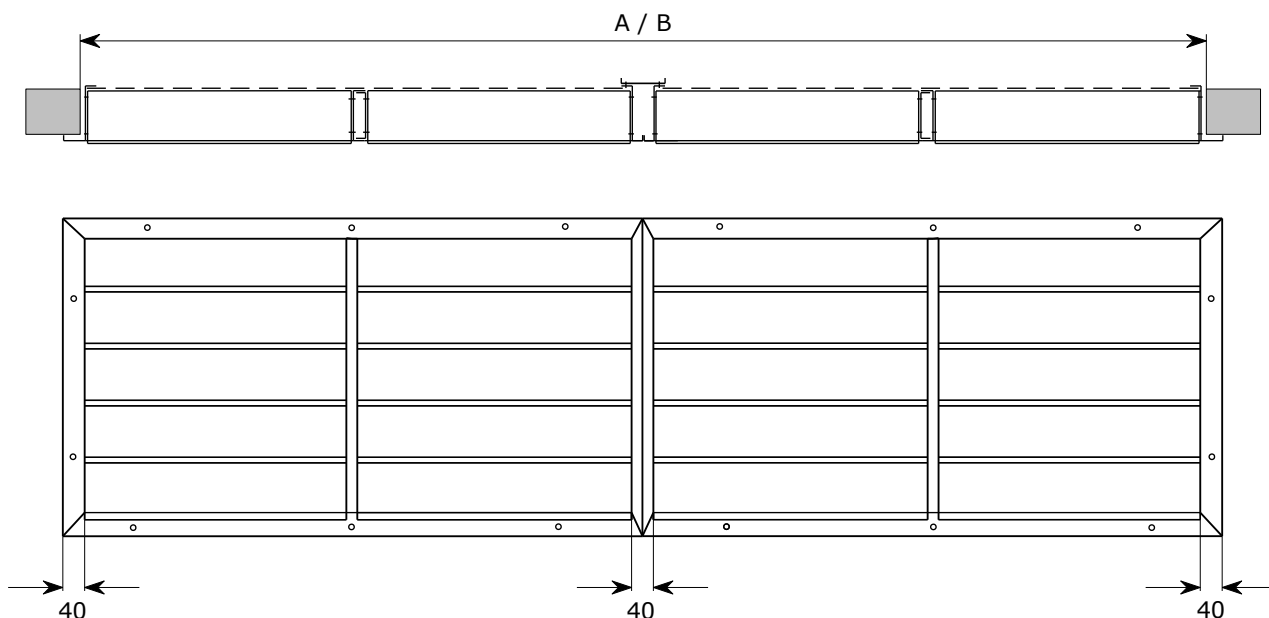
INSTALLATION: wall installation with screws or with built-in frame

VGRADNJA VEČJIH REŠETK:

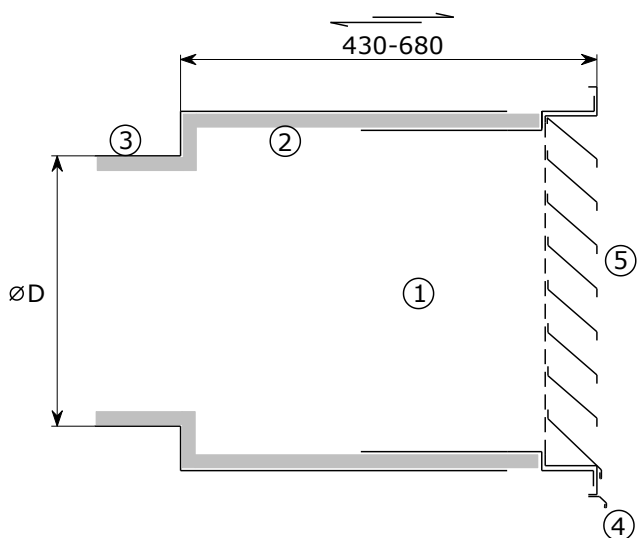
Rešetke PG-100 do širine A=2000 mm in višine B=2400 mm ter PG-50 do širine A=2000 mm in višine B=1500 mm se izdelujejo v enem kosu. Rešetke večjih dimenzij, ki se še lahko transportirajo v enem kosu, imajo vgrajene prečne ojačitve. Rešetke, ki so prevelike za transport v enem kosu pa se izdelujejo iz več delov in se sestavijo na objektu.

INSTALLATION OF LARGE GRILLS:

Grilles PG-100 up to width A=2000 mm and height B=2400 mm and grilles PG-50 up to width A=2000 mm and height B=1500 mm are manufactured in one piece. Grilles of larger dimensions, which may still be transported in one piece, have built transverse reinforcements. Grilles that are too large to transport in one piece are made of several parts and are assembled on site.

**DODATEK / SUPPLEMENT:**

RPB - raztegljiva priključna komora do dimenzije 900x500 mm se prilagodi širini stene. Izolirana znotraj 19 mm.
extendable plenum box up to dimension 900x500 mm adapts to the width of the wall. Insulated inside 19 mm.



1. Raztegljiva komora
Extendable plenum box
2. Izolacija 19 mm
Insulation 19 mm
3. Okrogli prikllop
Round connection opening
4. Od kapni profil
Drain profile
5. Zaščitna rešetka
Protective grille

NAČIN NAROČANJA / HOW TO ORDER:

PG-50	1000	x	500	ZN	VO
					<p>dodatki / supplements IM - mreža proti mrčesu / insect protection net VO - vgradni okvir / build-in frame RPB – raztegljiva izolirana komora / extendable plenum box RAL barva / RAL colour</p> <p>material ZN, AL, INOX</p> <p>višina B/ height B standard PG-50 (100-1500 mm), PG-100 (200-2400 mm) poljubna / optional</p> <p>širina A/ width A standard 200-2000 mm poljubna / optional</p> <p>tip rešetke / type of grille PG-50 PG-100</p>