



FK

PRAVOKOTNO OHIŠJE FILTRA RECTANGULAR FILTER BOX

OPIS:

Ohišje za vrečasti filter, ki se pritrdi direktno na prezračevalni kanal.

KONSTRUKCIJA:

- kanalsko ohišje s prirobnicami
- pokrov pritrjen z vijaki omogoča enostavno menjavo filtra
- na željo kupca se ohišje izolira. Med dve plasti pocinkane pločevine se vstavi 30 mm visoko plast mineralne volne

MATERIAL: pocinkana pločevina

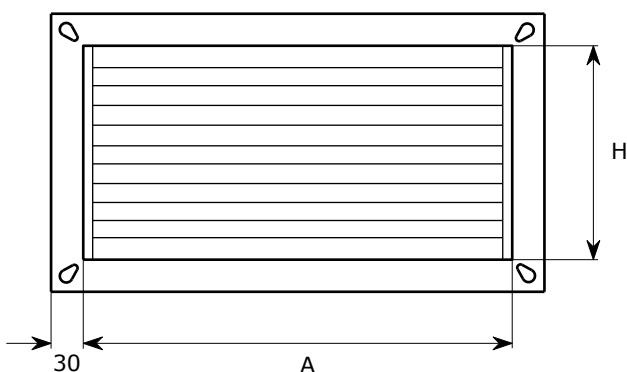
DODATKI:

- kasetni filter
- vrečasti filter
- kasetni in vrečasti filter

MONTAŽA: s prirobnicami

DIMENZIJE / DIMENSIONS:

Neizolirano ohišje filtra / Non insulated filter box



DESCRIPTION:

A casing for a bag filter to be attached directly to the ventilation duct.

CONSTRUCTION:

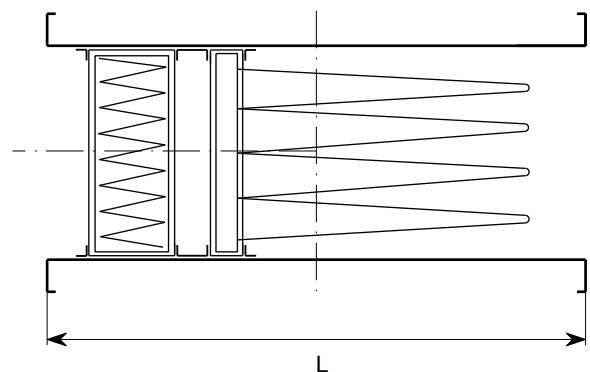
- square casing with flanges
- the screw-fastened cover allows easy filter maintenance
- the casing is insulated at the customer's request. A 30 mm mineral wool is inserted between two layers of galvanized sheet metal

MATERIAL: galvanized sheet metal

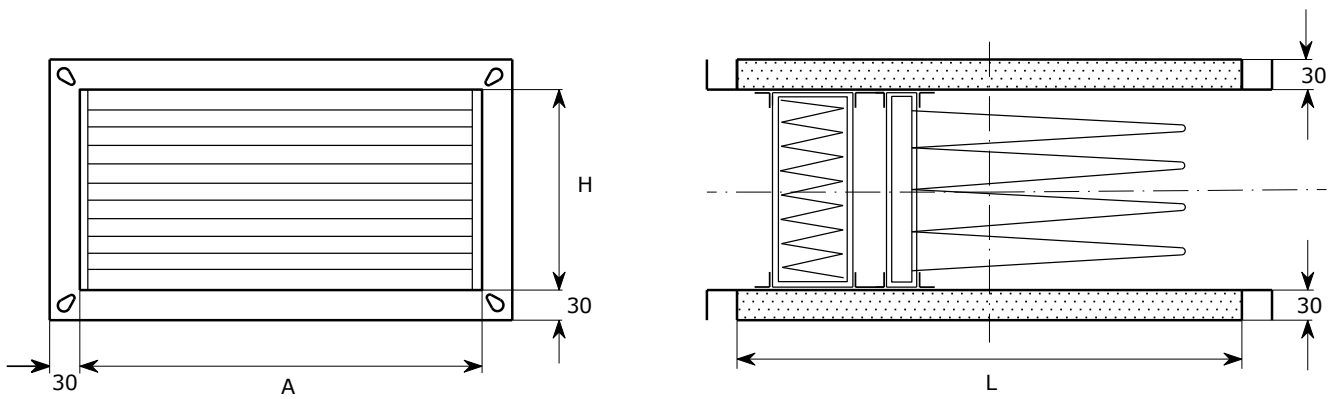
SUPPLEMENTS:

- cassette filter
- bag filter
- cassette and bag filter

INSTALLATION: with flanges



Izolirano ohišje filtra / Insulated filter box



	A	H	L	
300 - 150	300	150	402	
400 - 200	400	200	502	
500 - 250	500	250	532	
500 - 300	500	300	562	
600 - 300	600	300	642	820
600 - 350	600	350	717	
700 - 400	700	400	787	
800 - 500	800	500	882	
1000 - 500	1000	500	882	
1200 - 600	1200	600	820	

NAČIN NAROČANJA / HOW TO ORDER:

FK	600-300	ISO
----	---------	-----

		<p>dodatki / supplements ISO - izoliran / insulated F1 - filter vreča / filter bag F2 - kasetni filter / cassette filter F3 - kasetni filter in filter vreča / cassette filter and filter bag</p> <p>dimenzija / dimension standard poljubno / optional</p> <p>tip ohišja / filter box type</p>
--	--	--