



ED-2

VRTINČNI DIFUZOR SWIRL DIFFUSER

OPIS:

ED-2 enostavni vrtinčni difuzor je difuzor manjših do srednjih dimenzij primeren za vgradnjo v prostore z nižjimi stropi od 2,8 m do 3,5 m.

KONSTRUKCIJA:

- lijakasto oblikovano ohišje
- fiksne lamele
- okrogla razporeditev lamel

MATERIAL:

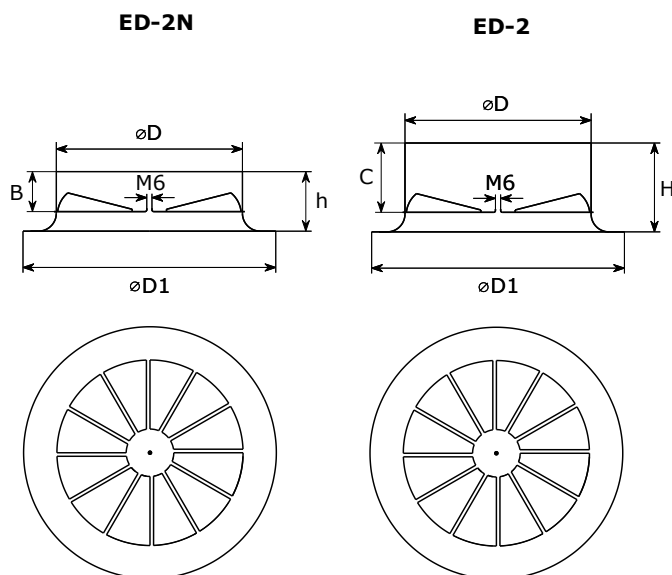
- jeklena pločevina
- nerjaveča pločevina INOX AISI 304 SB

BARVA: bela barva RAL 9010 MAT ali poljubna barva po RAL lestvici

DODATKI:

PL – plošča dim 595x595 mm za vgradnjo difuzorja v spuščen strop
 PP – perforirana plošča v vratu difuzorja
 RD – reducir
 PB-3 - priključna komora PB3
 PB-4 - priključna komora PB4

DIMENZIJE / DIMENSIONS:



DESCRIPTION:

The ED-2 simple swirl diffuser is a diffuser with small to medium dimensions. It can be used for low and medium ceiling heights from 2.8 m to 3.5 m.

CONSTRUCTION:

- nozzle shaped casing
- fixed blades
- radial blade arrangement

MATERIAL:

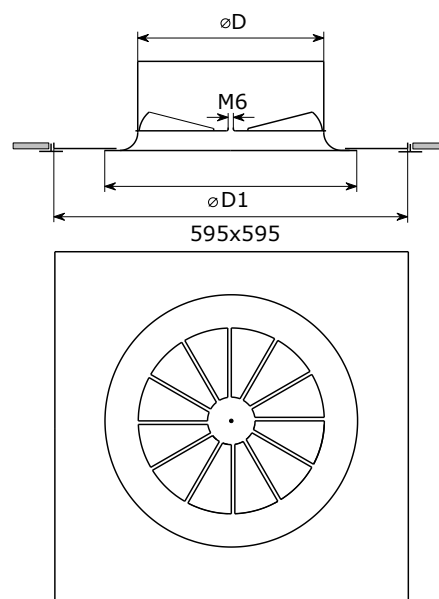
- steel sheet metal
- stainless steel sheet metal INOX AISI 304 SB

FINISH: RAL 9010 MAT white, or any colour from the RAL palette

ACCESSORIES:

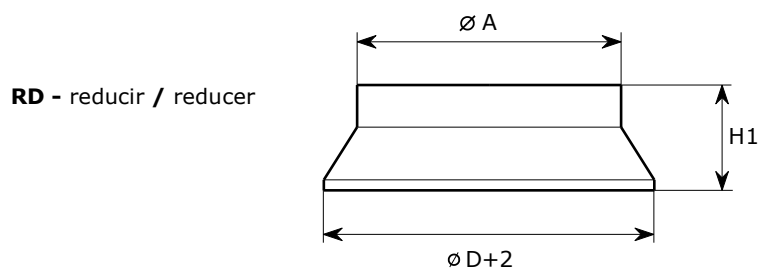
PL - plate 595x595 mm for installation in prefabricated ceilings
 PP - perforated plate placed on the neck of the diffuser
 RD - reducer
 PB-3 - plenum box PB3
 PB-4 - plenum box PB4

PL – plate 595x595



	$\varnothing D$	$\varnothing D1$	$\varnothing D2$	$\varnothing D3$	$\varnothing A$	B	C	H	h*	H1	H2	H3	h3*	H4	h4*
100	98	150	200	98			50	55	35		170	255	230	205	180
125	123	185	225	98	98	20	40	55	35	70	170	255	235	205	185
160	158	220	260	123	123	30	60	80	50	75	195	305	275	255	225
200	198	280	300	158	158	30	70	105	65	80	230	365	320	315	270
250	248	345	350	198	198	35	80	120	75	80	270	420	375	370	325
315	313	425	415	248	248	40	100	150	90	85	320	500	440	450	390
400	398	530	500	313	313	50	120	180	110	95	385	595	525	545	475
500	498	660	630	398	398		140	220		120	470	720	720	670	670

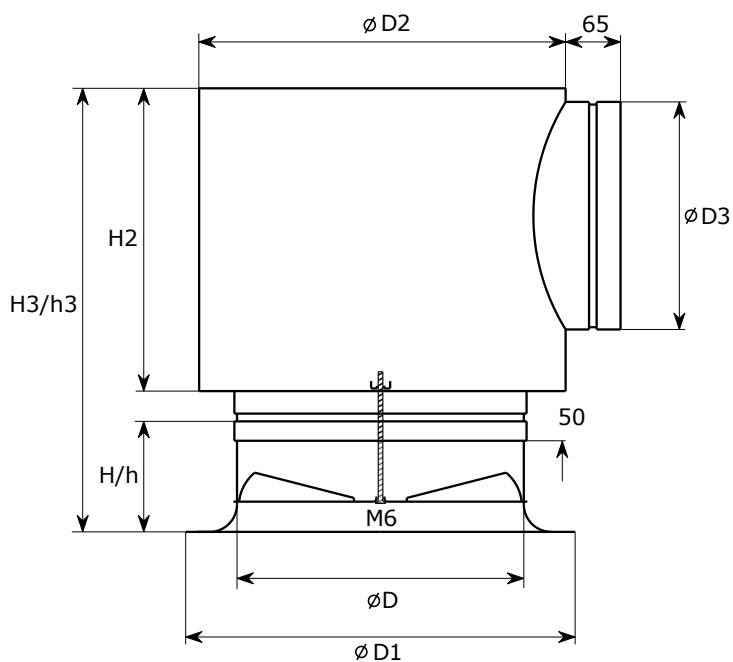
* opcija - znižana verzija difuzorja – koda **ED-2N** / option – short version of diffuser – code **ED-2N**



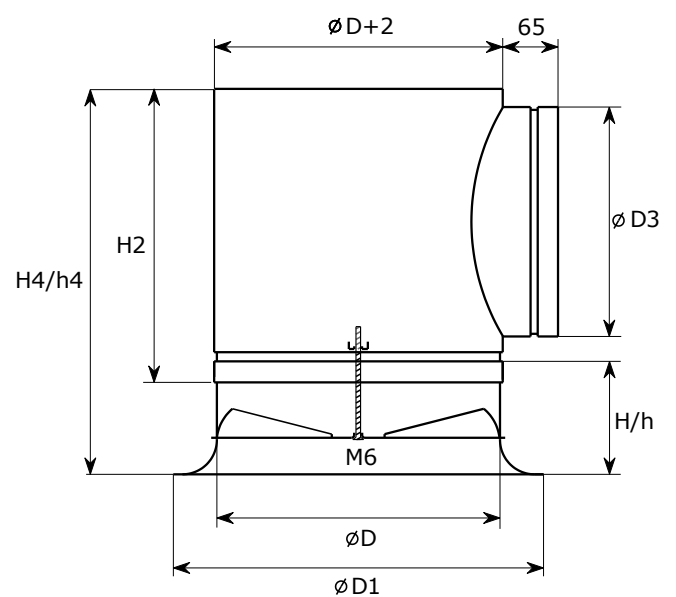
MONTAŽA NA KOMORO / MONTAGE ON PLENUM:

1. S centralnim vijakom / With central screw

ED-2 + PB-3



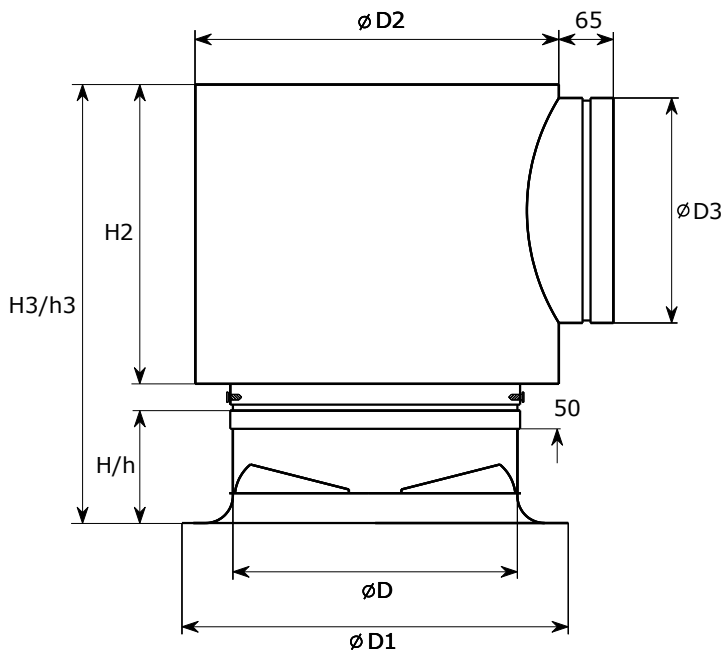
ED-2 + PB-4



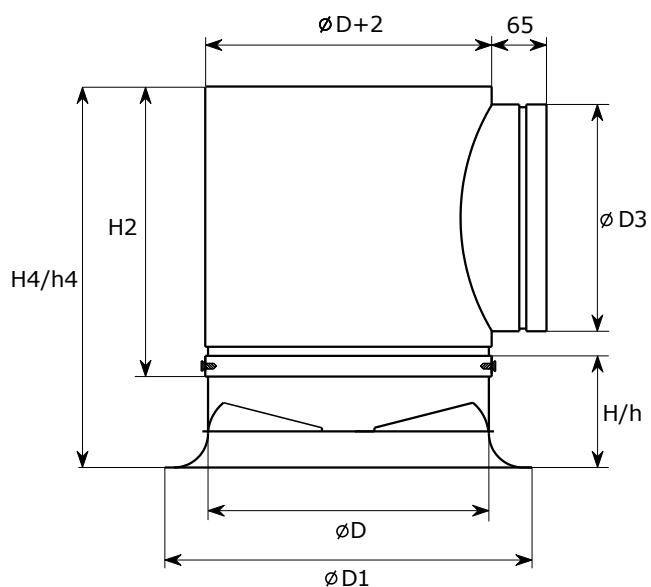
MONTAŽA NA KOMORO / MONTAGE ON PLENUM:

2. S stranskim vijakom na vratu difuzorja. / With side screw on the neck of the diffuser.

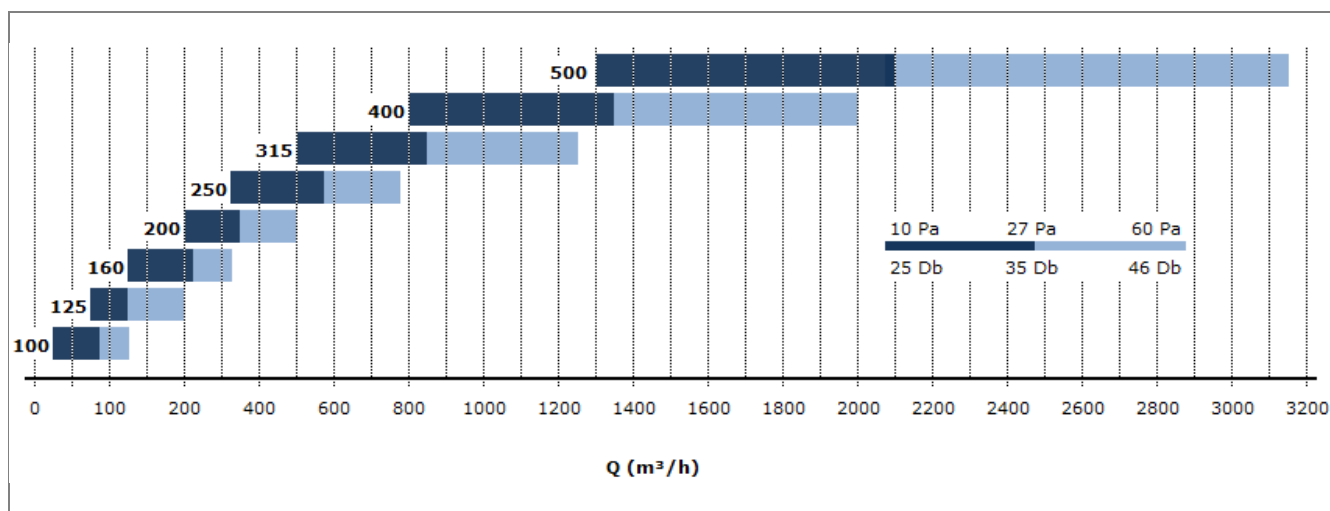
ED-2B + PB-3



ED-2B + PB-4



HITRA IZBIRA / FAST SELECTION: <https://izdelki.kosanc.si/>



NAČIN NAROČANJA / HOW TO ORDER:

ED-2		315	RAL 9010	PP + PL	PB 3	315	/	248	H	L	ISO 6mm
											izolacija / insulation 6 mm, 10 mm, 13 mm, 19 mm loputa / damper pozicija priključka position of connection H - horizontalen / horizontal V - vertikalni / vertical priključek / connection opening standard poljuben / optional dimenzija komore / plenum dimension komora / plenum PB3 komora / plenum box PB4 komora / plenum box dodatki / supplements RD - reducir / reducer PP - perforirana razpršilna plošča / perforated dispersing plate PL - plošča 595x595 / plate 595x595 barva / colour standard RAL 9010 MAT dimenzija difuzorja / diffuser dimension 100, 125, 160, 200, 250, 315, 400, 500 način pritrditve na komoro / installation on plenum box / - pritrditev s centralnim vijakom / montage with central screw B - brez centralne luknje, pritrditev s stranskimi vijaki na vratu difuzorja without central hole, installation with side screws on the neck of the diffuser tip difuzorja / diffuser type ED-2 višja verzija difuzorja / high version of the diffuser ED-2N nižja verzija difuzorja / short version of the diffuser