



ED-1

VRTINČNI DIFUZOR SWIRL DIFFUSER

OPIS:

ED-1 enostavni vrtinčni difuzor je difuzor manjših do srednjih dimenzij primeren za vgradnjo v prostore z nižjimi stropi od 2,8 m do 3,5 m.

KONSTRUKCIJA:

- okrogel ali kvadraten difuzor
- fiksne lamele
- okrogla razporeditev lamel

MATERIAL:

STANDARD:

- STANDARD: pocinkana pločevina
- OPCIJA:
 - nerjaveča pločevina INOX AISI 304
 - nerjaveča pločevina INOX AISI 316

BARVA: bela barva RAL 9010 MAT ali poljubna barva po RAL lestvici

DODATKI:

RD - reducir
PP - perforirana plošča v vratu difuzorja
PB 3 - priključna komora PB3
PB 4 - priključna komora PB4

DESCRIPTION:

The ED-1 swirl diffuser is a diffuser with small to medium dimensions. It can be used for lower ceiling heights from 2.8 m to 3.5 m.

CONSTRUCTION:

- round or square diffuser
- fixed blades
- radial blade arrangement

MATERIAL:

- STANDARD: galvanized sheet metal
- OPTIONS:
 - stainless steel sheet metal INOX AISI 304
 - stainless steel sheet metal INOX AISI 316

FINISH: RAL 9010 MAT white, or any colour from the RAL palette

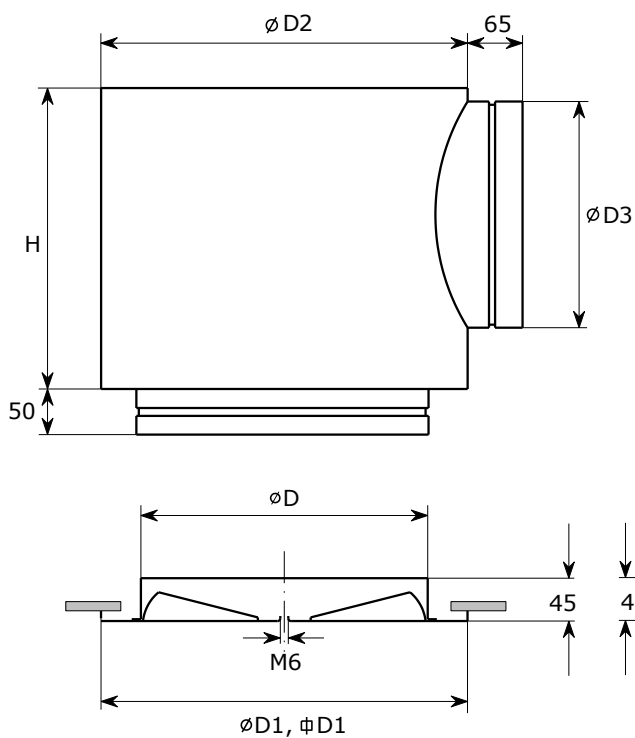
SUPPLEMENTS:

RD - reducer
PP - perforated plate placed on the neck of the diffuser
PB 3 - plenum box PB3
PB 4 - plenum box

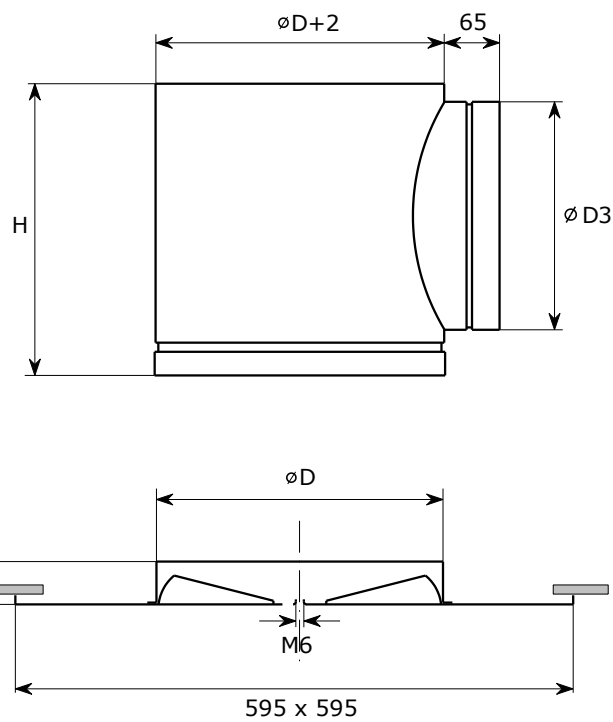
DIMENZIJE / DIMENSIONS:

| | Ø D | D1 | Ø D2 | Ø D3 | H | H1 | Ø A |
|------------|-----|-----|------|------|-----|-----|-----|
| 100 | 98 | 140 | 200 | 98 | 170 | | |
| 125 | 123 | 160 | 225 | 98 | 170 | 70 | 98 |
| 160 | 158 | 200 | 260 | 123 | 195 | 75 | 123 |
| 180 | 178 | 250 | 280 | 158 | 230 | 80 | 158 |
| 200 | 198 | 250 | 300 | 158 | 230 | 80 | 158 |
| 250 | 248 | 315 | 350 | 198 | 270 | 85 | 198 |
| 315 | 313 | 400 | 415 | 248 | 320 | 85 | 248 |
| 355 | 353 | 450 | 455 | 248 | 320 | 95 | 313 |
| 400 | 398 | 500 | 500 | 313 | 385 | 95 | 313 |
| 500 | 498 | 600 | 600 | 353 | 420 | 120 | 398 |

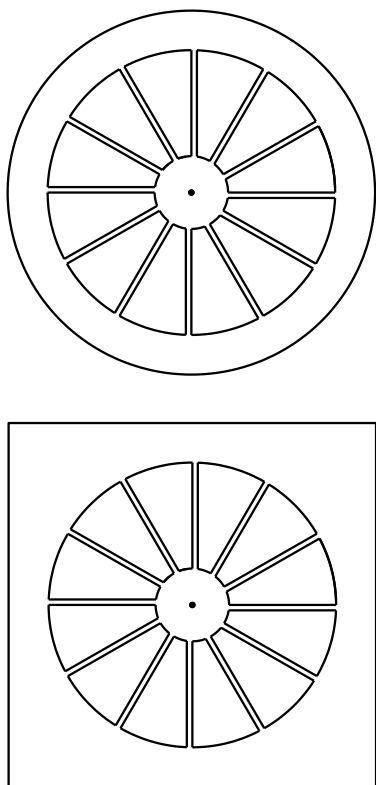
PB-3 okrogla komora / round plenum box



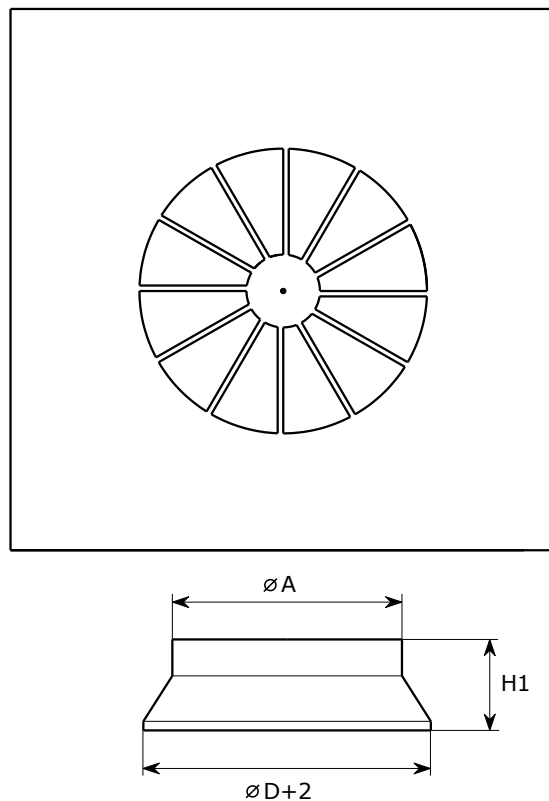
PB-4 okrogla komora / round plenum box



ED-1R okrogli difuzor / round diffuser



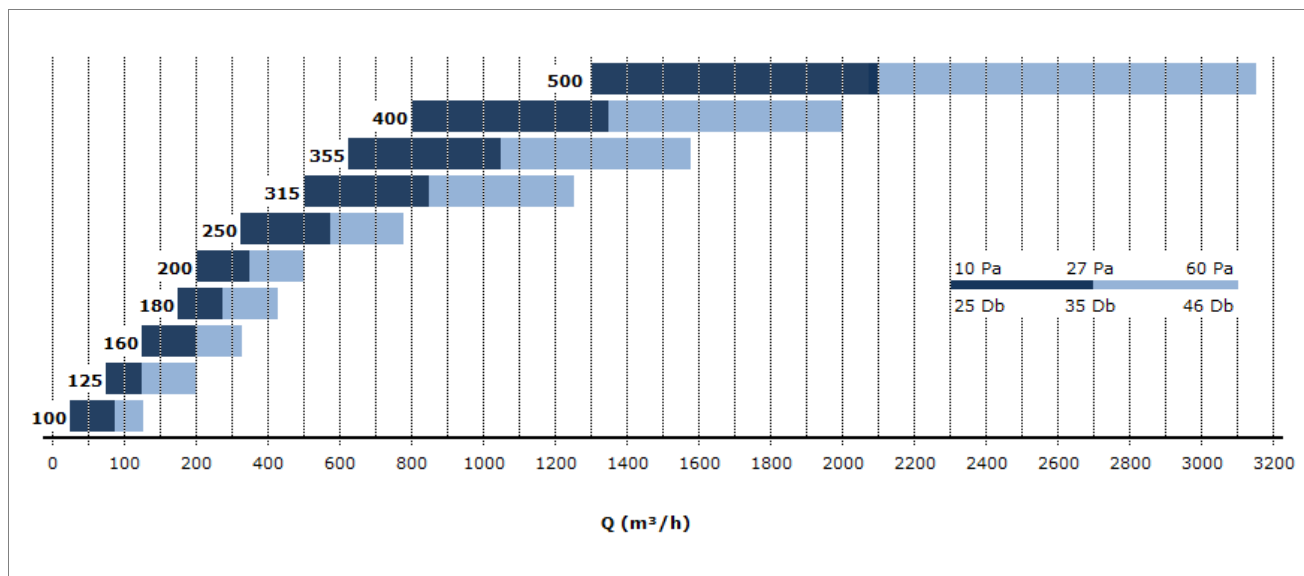
ED-1K PL kvadratni difuzor na plati 595x595 mm
square diffuser on plate 595x595 mm



ED-1K kvadratni difuzor / square diffuser

RD reducir / reducer

HITRA IZBIRA / FAST SELECTION: <https://izdelki.kosanc.si/>



NAČIN NAROČANJA / HOW TO ORDER:

| ED-1 | R | 315 | RAL 9010 | PP | PB 3 | 315 | / | 250 | H | L | ISO 6mm |
|------|---|-----|----------|----|------|-----|---|-----|---|---|---|
| | | | | | | | | | | | izolacija / insulation 6 mm, 10 mm, 13 mm, 19 mm loputka / damper pozicija priključka / position of connection H - horizontalen / horizontal V - vertikalni / vertical priključek / connection opening standard poljuben / optional dimenzija komore / plenum dimension komora / plenum PB3 komora / plenum PB4 komora / plenum dodatki / supplements RD - reducer / reducer PP - perforirana razpršilna plošča / perforated dispersing plate barva / colour standard RAL 9010 dimenzija difuzorja / diffuser dimension 125, 160, 200, 250, 315, 400 oblika / shape R - okrogla / round K - kvadratna / square K PL - kvadratna 595x595 mm / square 595x595 mm tip difuzorja / diffuser type |